

Technically, The Best Racing Magazine You Can Buy.

Cover Stories: Install It!

INSTALL IT!43
This tech section helps you build a functional and safe cockpit.

CAGED FRAMES45
Construction methods for rollcages, sheetmetal, and body supports.

REMAIN SEATED52
Fiberglass race seats to aluminum—it's simple and inexpensive.

REWEBBING FOR SAFETY58
Safety belts and tie-downs can be made like new again.

SAFE STEERING TECH62
How to build a safe, simple, and inexpensive steering shaft system.

INSTALL A FIRE SUPPRESSION SYSTEM69
Learn or burn.

Features

TARMAC TERRORISTS20
ASA amps up.

LEARN TO RACE & WIN74
The art and science of restarts.

A.J. FOYT: SUMBITCH ON WHEELS!84
Tamer of Offys, Fords, and Ilmors.

SUSPENSION, BRAKE, AND STEERING BUYER'S GUIDE...110
Can't stand the suspense, turn to page 110.

Racing Technology

HOW TO CHECK BUMPSTEER30
Know what you have so you can make changes to win.

SEALING FOR POWER40
Check valve seat and guide sealing.

FLYING WING CRANK80
Internal aerodynamics. **TECH EXCLUSIVE**

MODULAR INTAKE99
A two-piece design could save you time and deliver more power. **TECH EXCLUSIVE**

RACE CAR SCIENCE106
Herb Adams answers your chassis questions and more.

THE SECRET IS OUT!118
Max Sportsman Engine update.

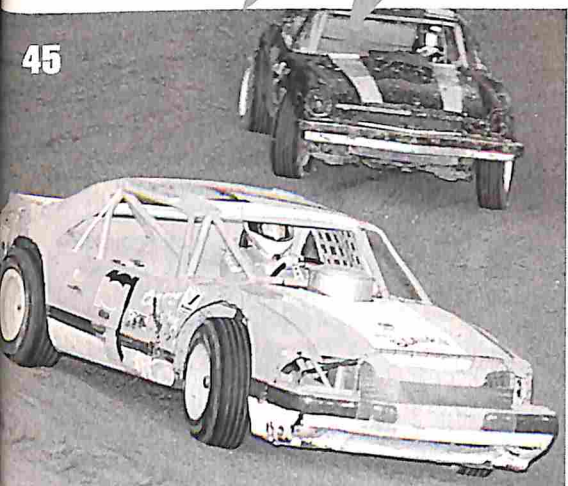
SMOKEY'S TRACK TECH148
Smokey ruminates as usual about the racing universe.

Departments

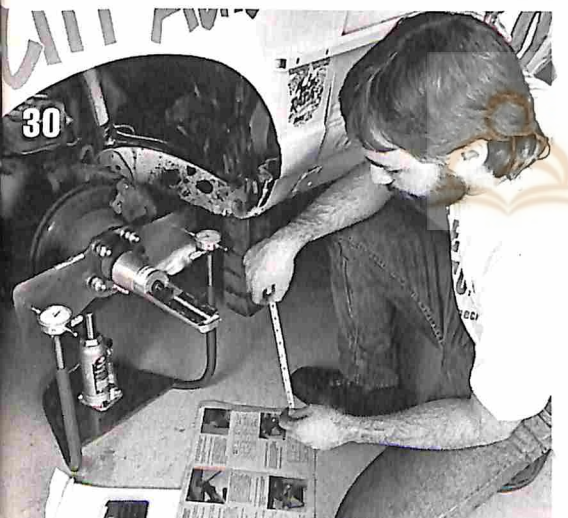
TURN FIVE	4	YESTERDAY & TODAY	6
LETTERS	8	STOCK REPORT	12
RACIN' AROUND	16	READERS' TECH TIPS	124
SPEEDWARE	126	CATALOG SECTION	134
AD INDEX	154	TRACK TRADE	155
RACE DATES	166		



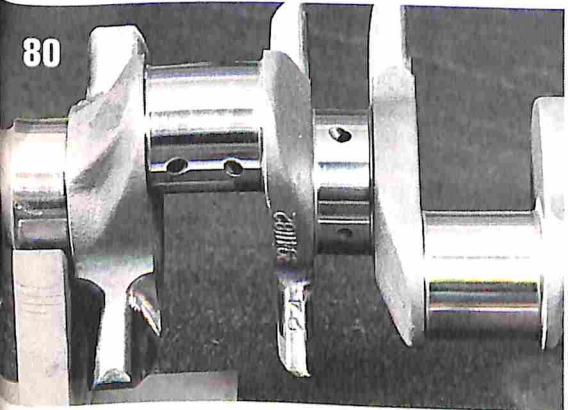
45



30



80



COVER: Chuck Mack illustrated our blueprint of a Saturday night racer. The Foyt face shot was taken by Ron McQueeney and the Foyt action shot is by Bob Tronolone. Also snapped by Ron McQueeney was Dale Jarrett's Daytona-winning Interstate Lumina.

A.J. FOYT: SUMBITCH ON WHEELS

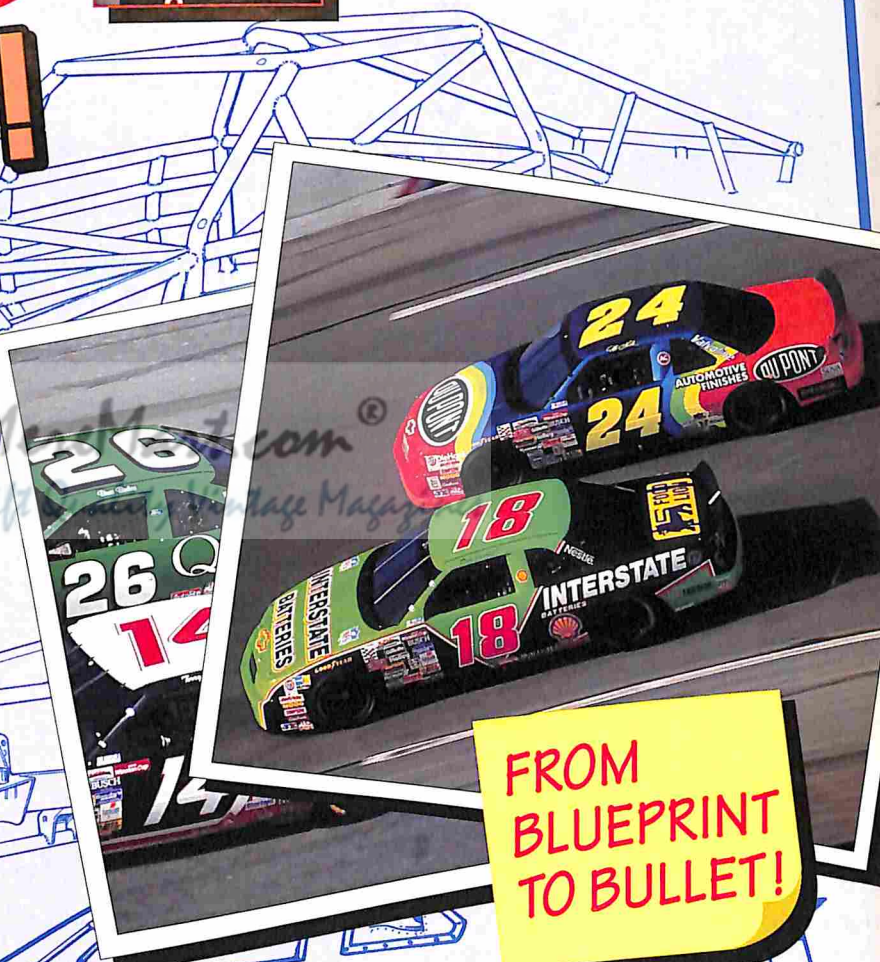
MAY 1993 U.S. \$3.95 CAN \$4.00

CIRCLE TRACK & RACING TECHNOLOGY



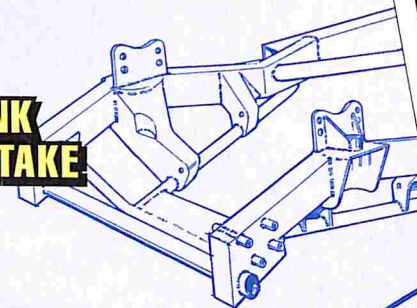
INSTALL IT!

- ROLL CAGE
- SEAT
- FIRE SYSTEM
- STEERING
- BELTS



NEW TECH:

- AERO CRANK
- 2-PART INTAKE



HOW TO:

- CHECK BUMPSTEER

ACTION!

- A.S.A. AMPS UP!

FROM BLUEPRINT TO BULLET!

ANATOMY OF A STC
DRAWN BY: C. MACK

#BXBHLHJ****CAR-RT SORT**CR10
#SHR1417C099 6#490496 R7 CT05



T SCHREINER JUN 97
1417 CAMBRIDGE ST CA01
HOPKINS MN #KP
55343-1903

